



SWIFT. SILENT. SECURE.

HARDWARE KIT FOR ALL POWER-POLE® MODELS EXCLUDING 8' & 10' BLADE EDITIONS INSTRUCTIONS

Hardware:

- A. (2) 3/8" x 3-1/2" Bolts
- B. (6) 5/16" x 3-1/2" Bolts
- C. (1) 1/4" x 3-1/2" Bolt
- D. (2) 1/4" x 2" Bolts
- E. (4) 3/8" Bushings (stern bracket)
- F. (8) 3/8" Bushings (u-channel)
- G. (4) 3/8" Bushings (small outer)
- H. (4) 3/8" Washers
- I. (2) 3/8" Lock Nuts (thin)
- J. (16) 5/16" Bushings (u-channel & stern bracket)
- K. (12) 5/16" Bushings (small outer)
- L. (12) 5/16" Washers
- M. (6) 5/16" Lock Nuts (thin)
- N. (2) Large Ram Spacers
- O. (4) Medium Ram Spacers
- P. (2) Small Ram Spacers
- Q. (2) Teflon Tubes
- R. (1) 1/4" Lock Nut (thin)
- S. (6) 1/4" Bushings (small white)
- T. (1) 1/4" Bushing (long white)
- U. (2) 1/4" Bushings (short white)
- V. (6) 1/4" Washers
- W. (2) 1/4" Lock Nuts (tall)

Installation Tools:

- 7/16", 1/2" and 9/16" Wrench
- 7/16", 1/2" and 9/16" Socket
- Ratchet
- 3/8" Drill Bit
- Electric Drill

WARNING: Never touch spike with bare hands.

NOTES:

- Follow sections specific to your Power-Pole make and model.
- Remove old hardware and follow installation diagram to install new hardware.

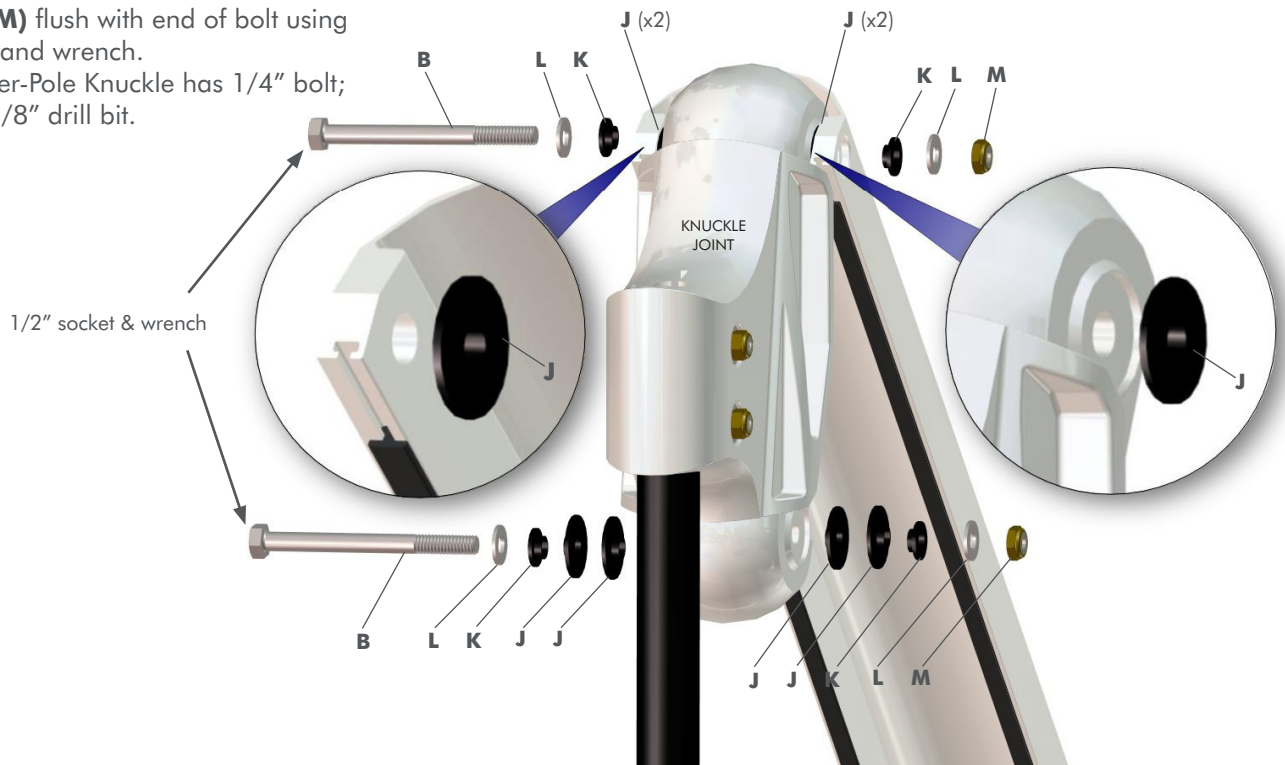


Need help? Contact our Technical Support Team at **1 + 813.689.9932 Option 2**

KNUCKLE BOLT SET 5/16" (UPPER OR LOWER)

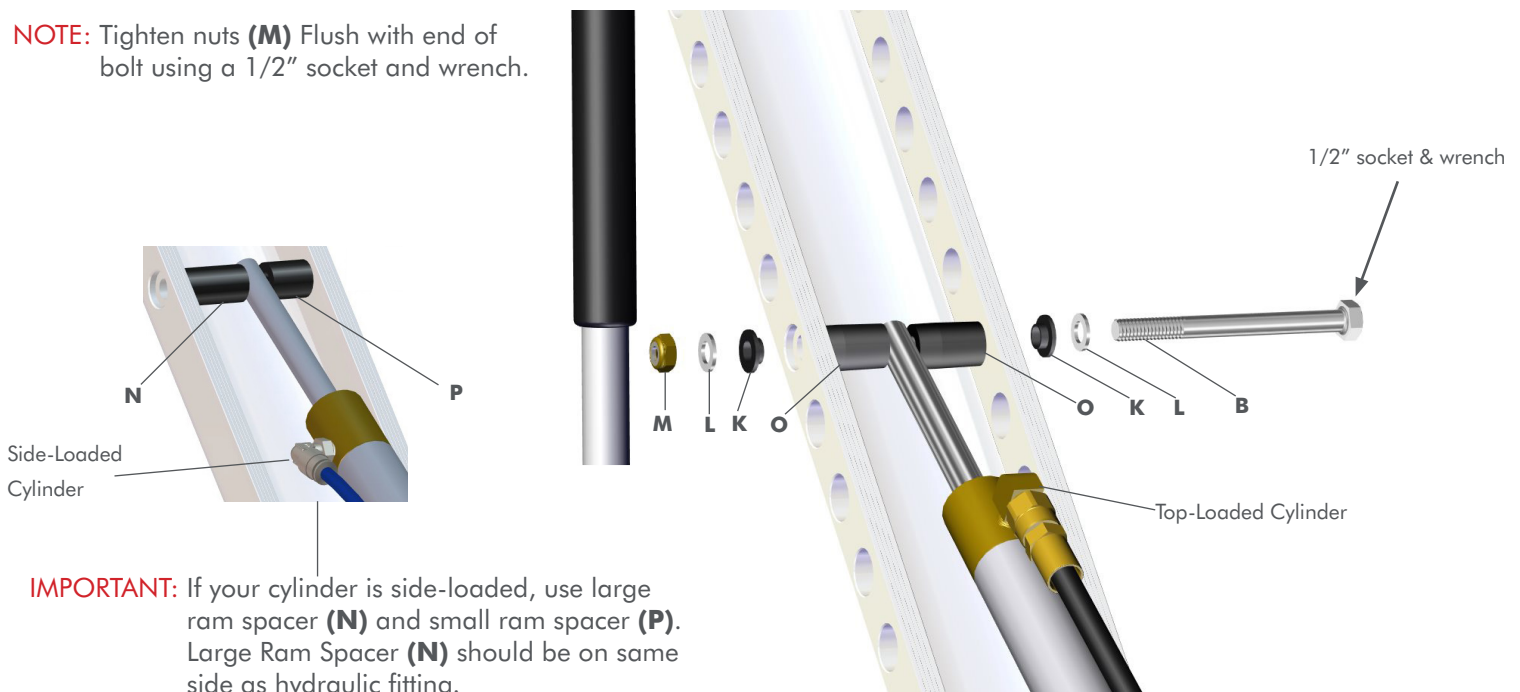
NOTES:

- Tighten nuts (**M**) flush with end of bolt using a 1/2" socket and wrench.
- If existing Power-Pole Knuckle has 1/4" bolt; drill out with 3/8" drill bit.



CYLINDER BOLT SET 5/16" (TOP OR BOTTOM)

NOTE: Tighten nuts (**M**) Flush with end of bolt using a 1/2" socket and wrench.



IMPORTANT: If your cylinder is side-loaded, use large ram spacer (**N**) and small ram spacer (**P**). Large Ram Spacer (**N**) should be on same side as hydraulic fitting.

Need help? Contact our Technical Support Team at **1 + 813.689.9932 Option 2**

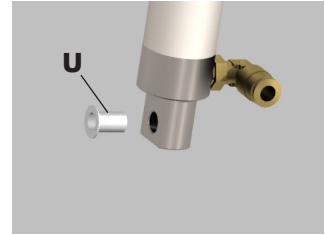
STERN BRACKET BOLT SET 1/4" (UPPER BOLT ONLY)

NOTES:

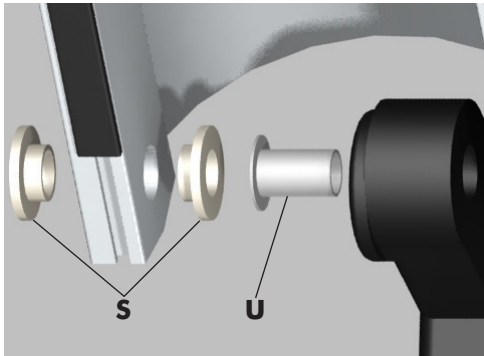
- Tighten nut (**R**) snug using a 7/16" socket and wrench.
- Hydraulic lines do **not** need to be disconnected from hydraulic cylinder.
- Refer to next section for lower 5/16" bolt replacement.

Compatible with the Following

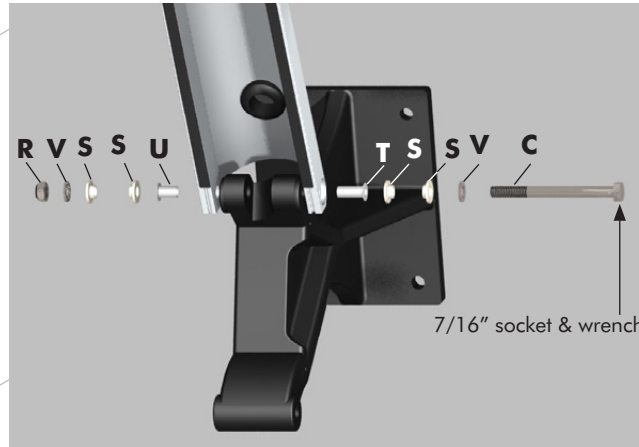
- Power-Pole 6' (2008 & Earlier)
- Power-Pole Sportsman 6' (2010 & Earlier)



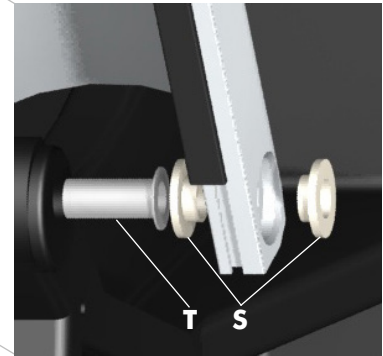
Bottom Cylinder



Left View of Stern Bracket



Front View of Stern Bracket



Right View of Stern Bracket

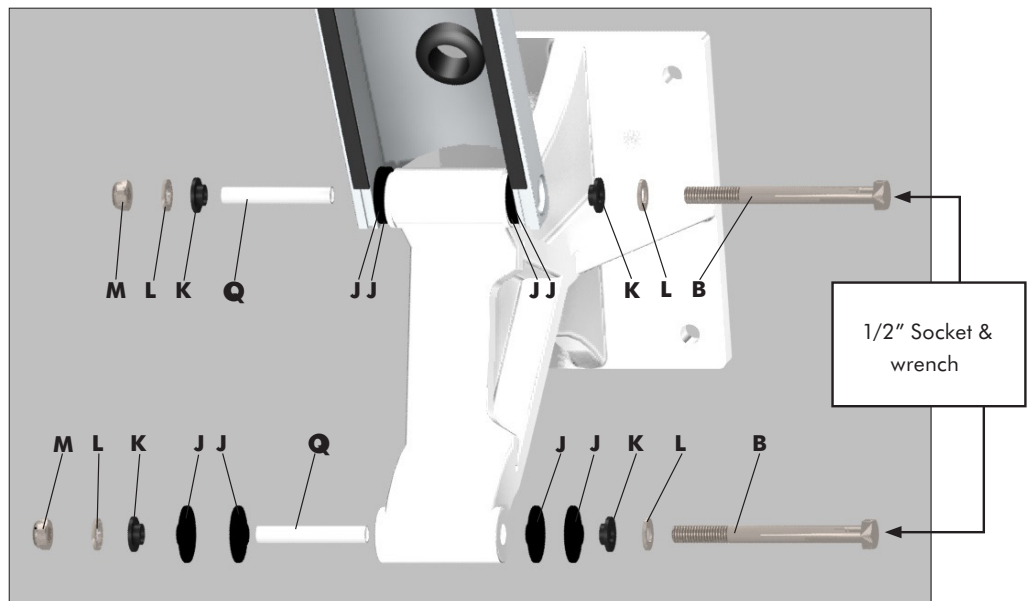
STERN BRACKET BOLT SET 5/16" (UPPER OR LOWER)

Compatible with the Following

- Power-Pole XL (2008 & Earlier)
- Power-Pole Pro Series 6', 8' (2009 & Earlier)
- Power-Pole Sportsman Series 8' (2009-2011)
- Power-Pole Sportsman Series 6' (2009-2010)
(Lower Stern Bolt **Only**)

NOTES:

- Drill out old teflon tubes (**Q**) using a 3/8" drill bit.
- Tighten nuts (**M**) snug using a 1/2" socket and wrench.

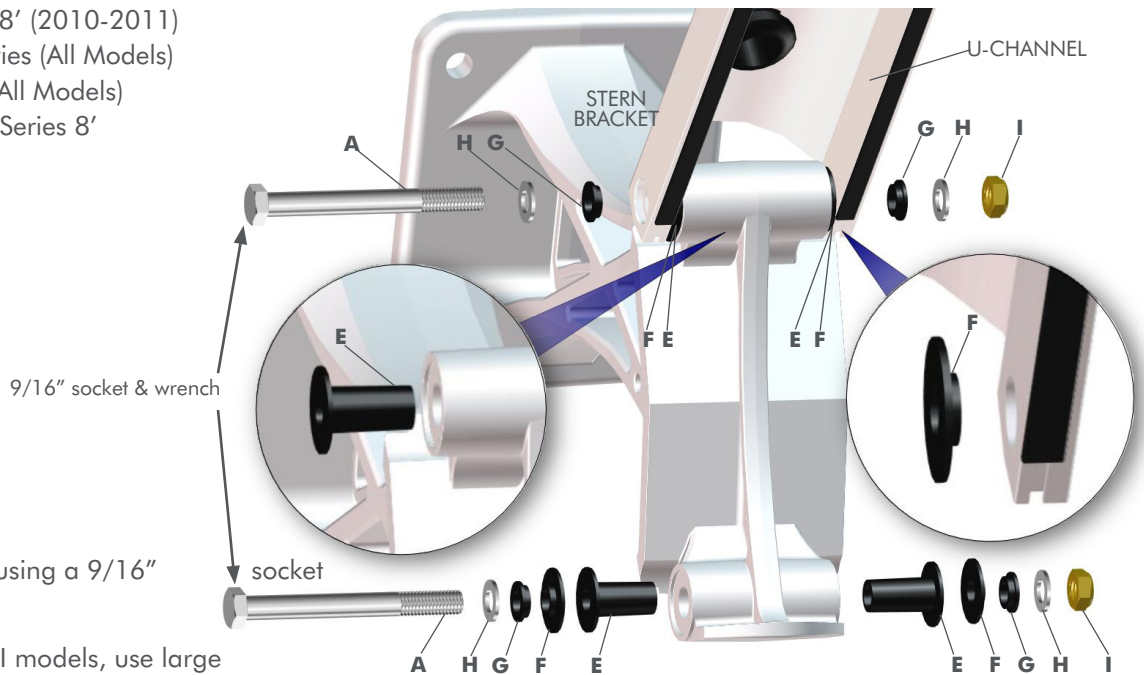


Need help? Contact our Technical Support Team at **1 + 813.689.9932 Option 2**

STERN BRACKET BOLT SET 3/8" (UPPER OR LOWER)

Compatible with the Following

- Power-Pole Pro Series 6',8' (2010-2011)
- Power-Pole Signature Series (All Models)
- Power-Pole Pro II Series (All Models)
- Power-Pole Sportsman II Series 8' (2012 & Later)



NOTE: Tighten nuts **(I)** snug using a 9/16" and wrench.

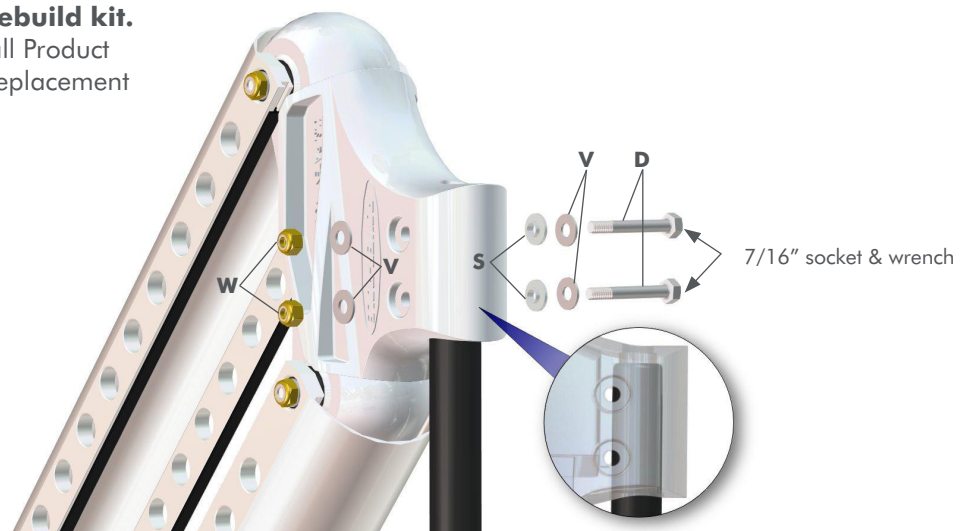
IMPORTANT: For Sportsman II models, use large bushings **(F)** instead of long bushings **(E)**.

EVERFLEX™ SPIKE BOLT SET

NOTE: Tighten nuts **(W)** snug using a 7/16" socket & wrench.

Everflex Spike NOT included with rebuild kit.

To order, visit an authorized dealer or call Product Support at 813-689-9932 opt. 2 for a replacement if needed.



Need help? Contact our Technical Support Team at **1 + 813.689.9932 Option 2**