



SWIFT. SILENT. SECURE.

ALUMINUM BOAT ADAPTER PLATE INSTRUCTIONS

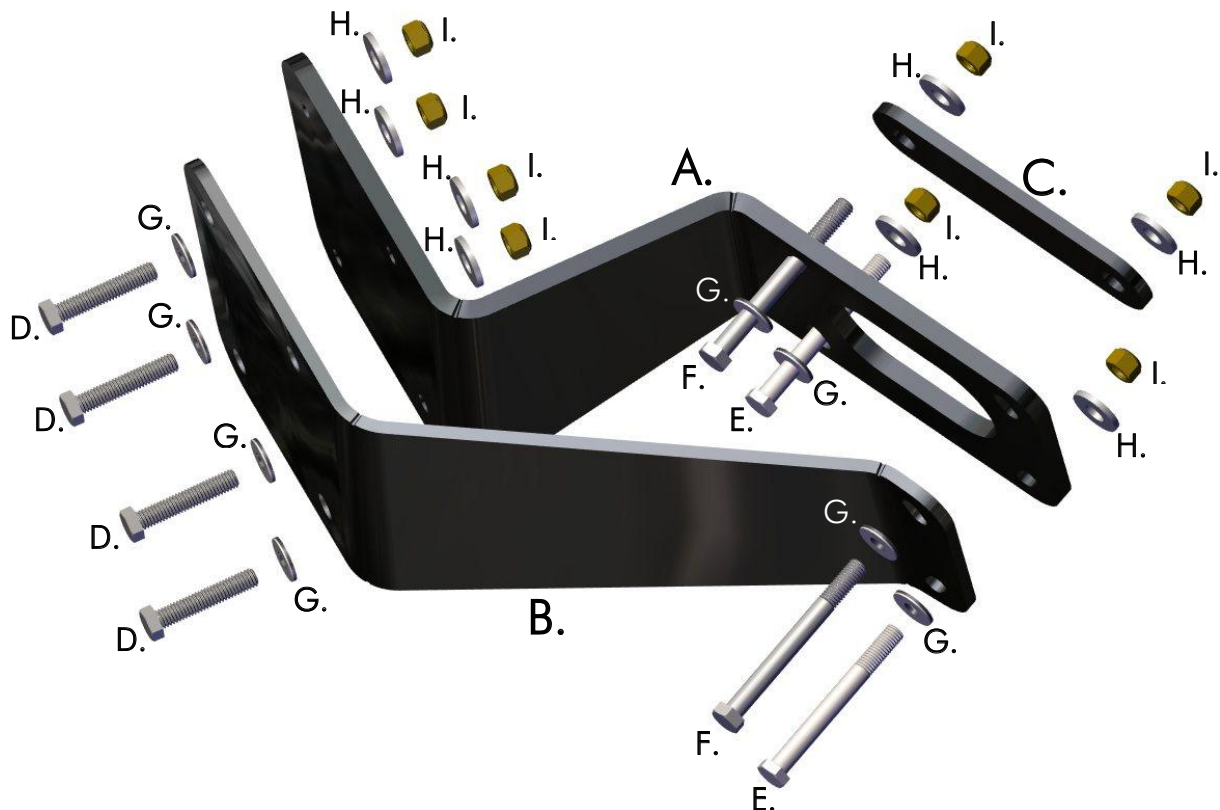
For all 2014 and later Ranger RT Series and Triton TX Series aluminum boats

Hardware

- A. (1) Adapter Plate
- B. (1) Brace
- C. (1) Backer plate
- D. (4) 3/8" x 2" Bolts
- E. (2) 3/8" x 3 & 1/2" transom bolts
- F. (2) 3/8" x 3 & 3/4" transom bolts
- G. (8) 3/8" 7/8" Neo-bond washers
- H. (8) 3/8" Heavy Thunder Washers
- I. (8) 3/8" Lock nuts

Installation Tools:

- 9/16" Socket with ratchet
- 9/16" Wrench
- 3/8" Drill bit



ALUMINUM BOAT ADAPTER PLATE

Installation Instructions:

- STEP 1.** Identify if your adapter plate is for Port or Starboard installation by looking for a "P" or "S" at the end of the part number that appears on the adapter plate.
- STEP 2.** Place bracket over drain hole and up against the outer lip of rub rail with mounting bolt holes centered above the 4 sheet metal screws as illustrated. **FIG. 1 & Section 1.1**
- STEP 3.** Mark the hole locations and drill with a 3/8" drill bit.

IMPORTANT: The transom mounting bolts (F) & (E) need to pass through the box frame and boat stringer as illustrated. **FIG. 1 Section 1.2**

- STEP 4.** Place a neo-bond washer (G) onto bolts (F) & (E) with rubber backing facing the thread end of bolts. Figure 2 Section 2.1

NOTE: The rubber backed neo-bond washers (G) will protect the powder coated marine finish of the adapter plate, and they must not be over tightened.

- STEP 5.** With adapter plate (A) in position push bolts (F) & (E) through and place backer plate (C) onto upper bolt (F). Next, place washers (H) onto each bolt and thread lock nuts (I) on and tighten. **FIG. 2 Section 2.2**

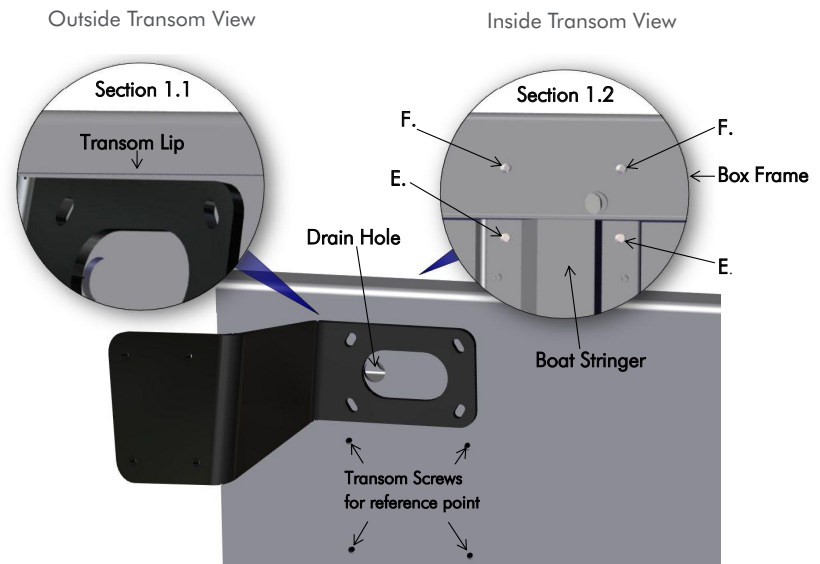


Figure 1

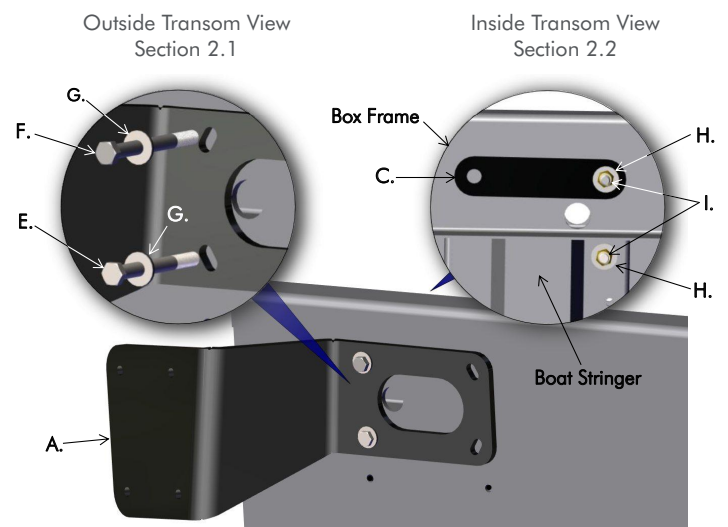


Figure 1

ALUMINUM BOAT ADAPTER PLATE

STEP 6. Place a neo-bond washer (**G**) onto bolts (**F**) & (**E**) with rubber backing facing the thread end of bolts. **FIG. 3**

STEP 7. Place brace (**B**) on top of adapter plate (**A**) aligning holes and push bolts (**F**) & (**E**) through brace and adapter plate. **FIG.3 Section 3.1**

STEP 8. Place washers (**H**) onto each bolt and thread nuts (**I**) on and tighten.

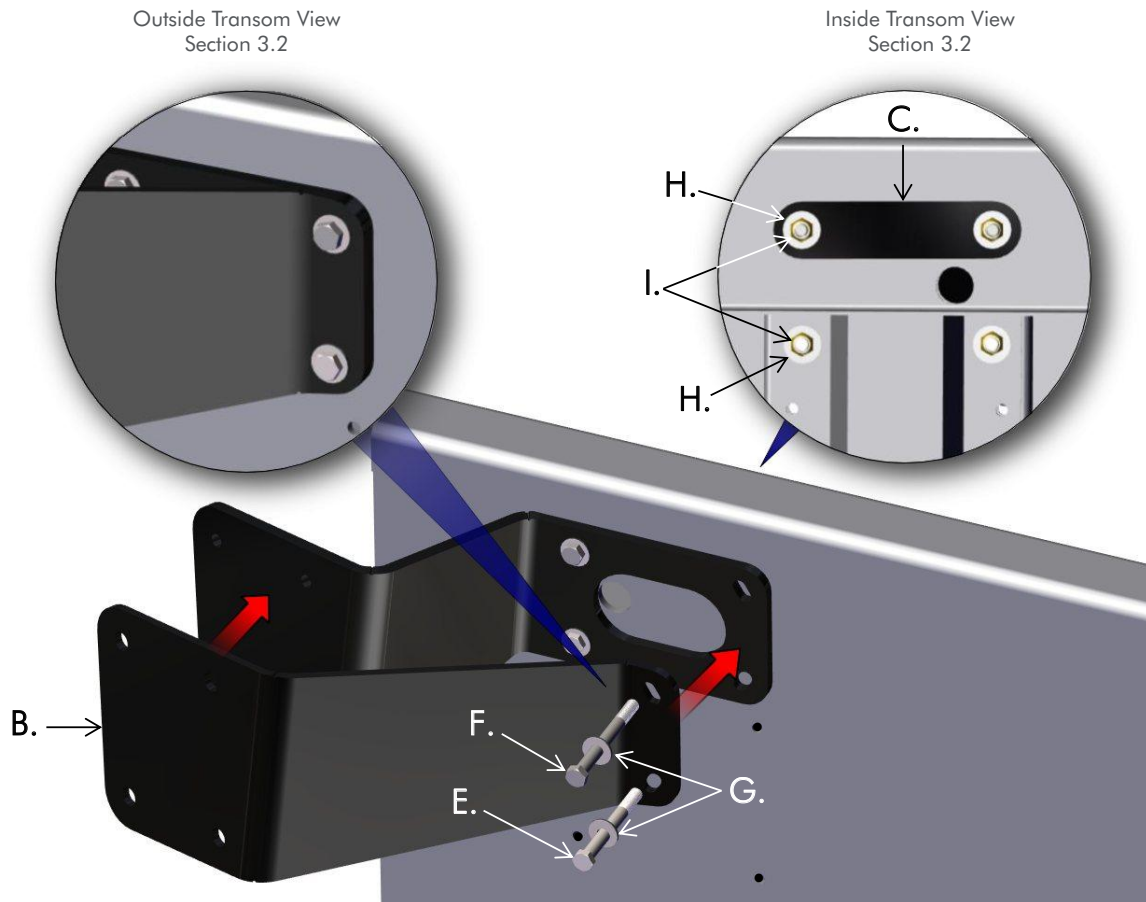


Figure 3

ALUMINUM BOAT ADAPTER PLATE

STEP 9. Now you're ready to install the Power-Pole shallow water anchor to the adapter plate. Install the bolts and hardware as illustrated in **FIG. 4**.

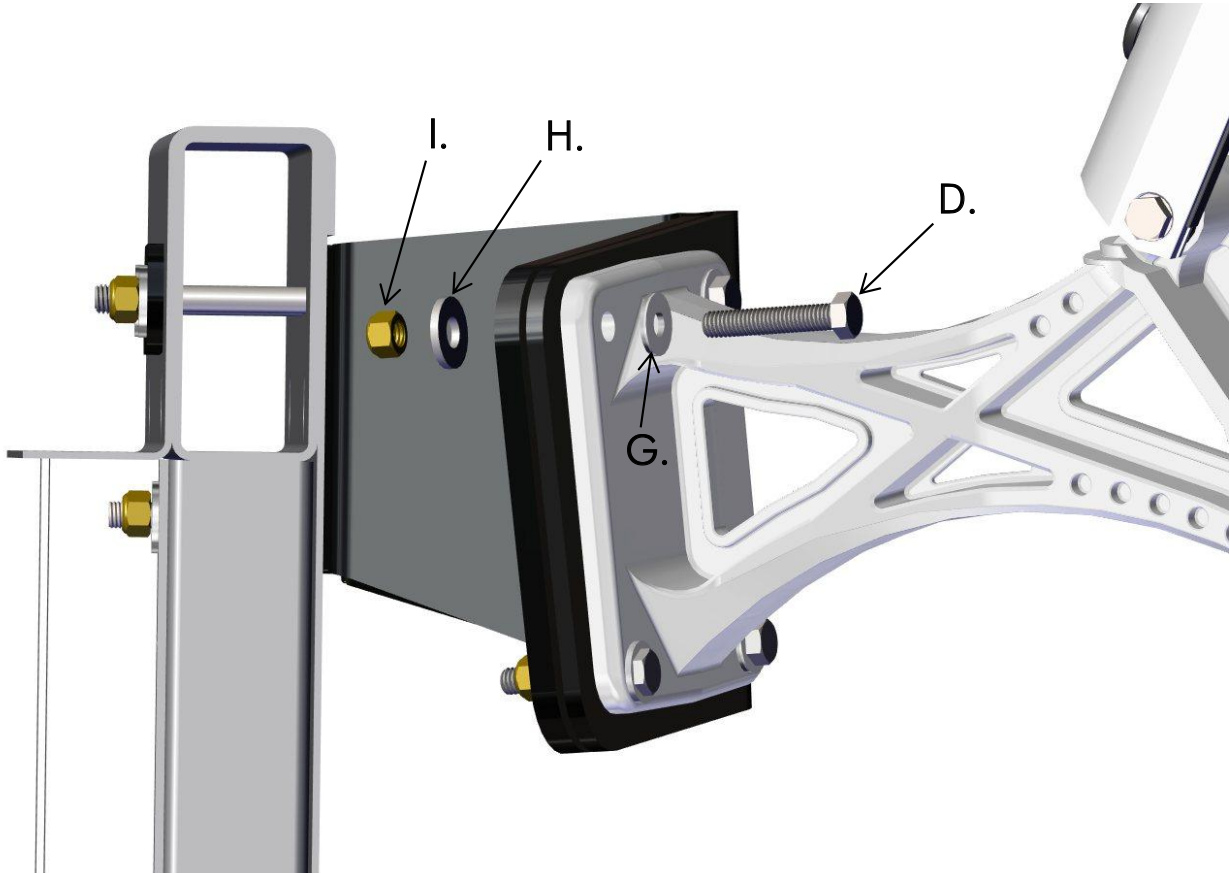


Figure 4

Need help? Contact our Technical Support Team at **1 + 813.689.9932 Option 2**