



SWIFT. SILENT. SECURE.

# Dual M to S Adapter Plate Kit For Mercury Verado Engines

## INSTRUCTIONS

### INSTALLATION TOOLS:

- 3/4" Socket with ratchet
- 3/4" Wrench
- Marine-Grade Sealant

### INCLUDED HARDWARE:

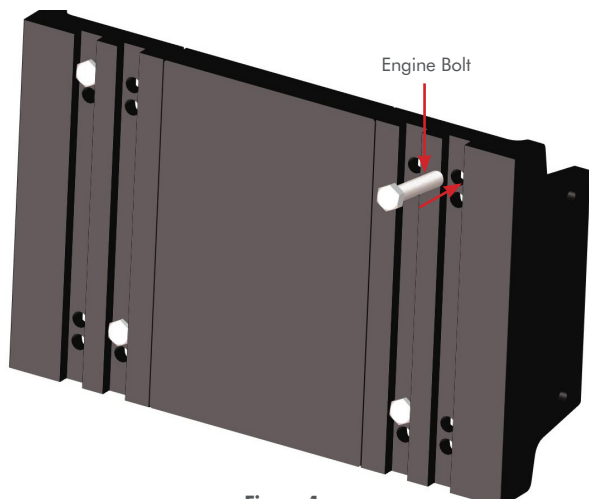
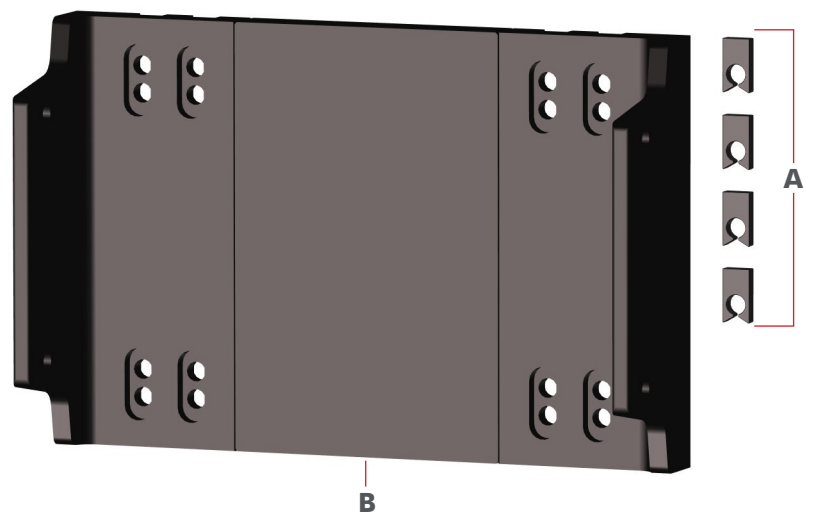
- A.** (4) Seal Plugs
- B.** (1) M to S Adapter Plate

**NOTE:** Consult with your outboard manufacturer for proper 1/2" diameter hardware.

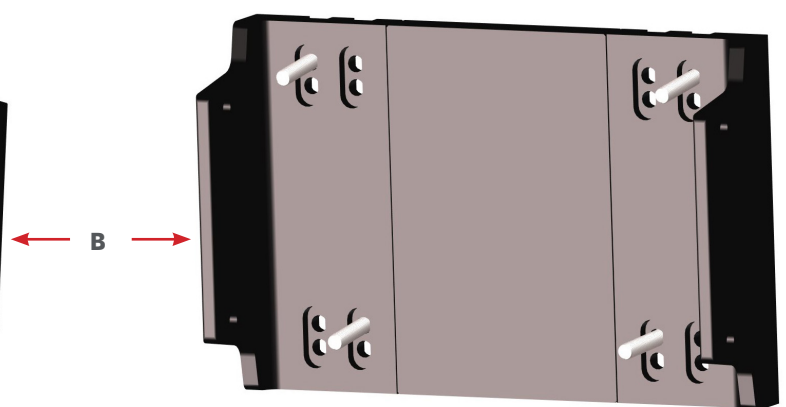
### INSTALLATION:

**STEP 1:** Properly remove and support your outboard engine according to the manufacturer's guidelines.

**STEP 2:** Install the **engine bolts** through the back of the **M to S adapter plate (B)** so the bolt head is flush with the transom side. **FIG 1 & 2**



**Figure 1**  
Transom side view



**Figure 2**  
Engine side view

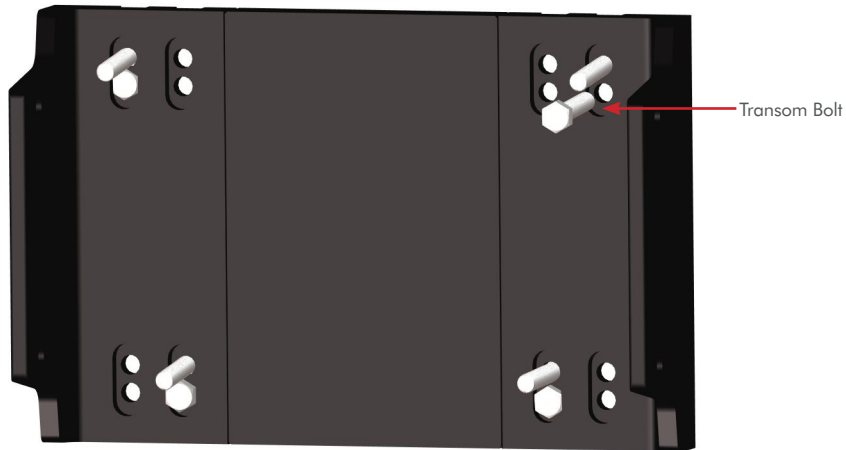
Need help? Contact our Customer Service Team at **1 + 813.689.9932 Option 2**



SWIFT. SILENT. SECURE.

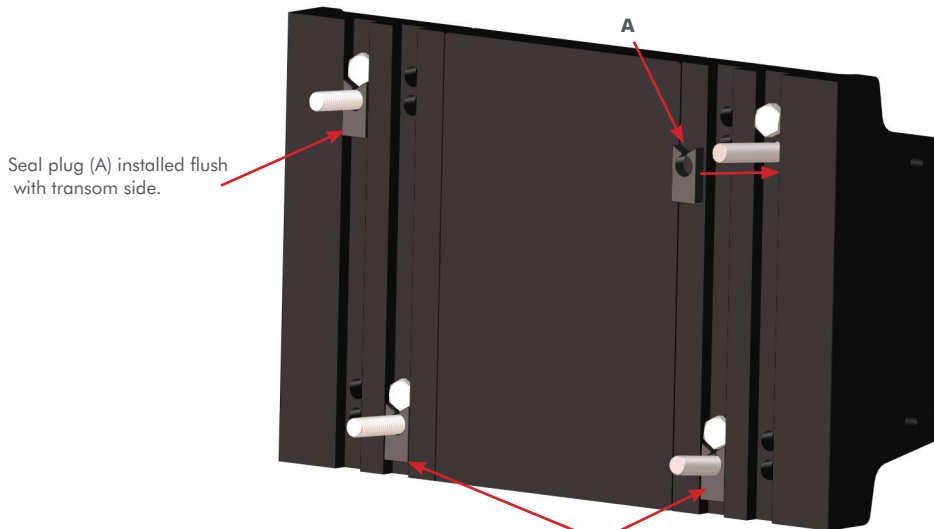
# Dual M to S Adapter Plate Kit For Mercury Verado Engines INSTRUCTIONS

**STEP 3:** Install the **transom bolts** through the holes directly below the engine bolts in the **M to S adapter plate (B)** as illustrated. **FIG 3**



**Figure 3**  
Engine Side View

**STEP 4:** Install the four **Seal Plugs (A)** onto each **transom bolt** being used with the **M to S Adapter Plate (B)**. **FIG 4**



**Figure 4**  
Transom Side View

Need help? Contact our Customer Service Team at **1 + 813.689.9932 Option 2**



SWIFT. SILENT. SECURE.

## Dual M to S Adapter Plate Kit For Mercury Verado Engines INSTRUCTIONS

**STEP 5:** Install the **M to S adapter plates (B)** onto the boat transom/ jack plate and tighten to your boat manufacturer's torque specifications. **FIG 5**

**IMPORTANT:** Put a below waterline grade sealant around each transom bolt hole if installing between outboard motor and transom.

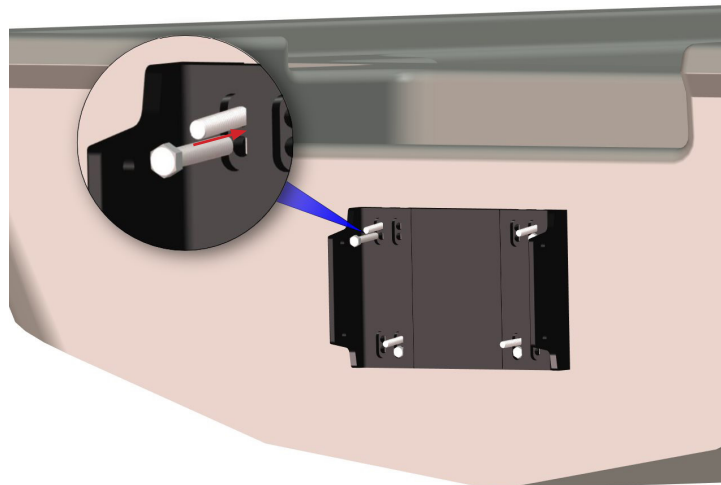


Figure 5

**STEP 6:** Remount your outboard engine using the hardware recommended by your boat manufacturer and torque to their specifications. **FIG 6**

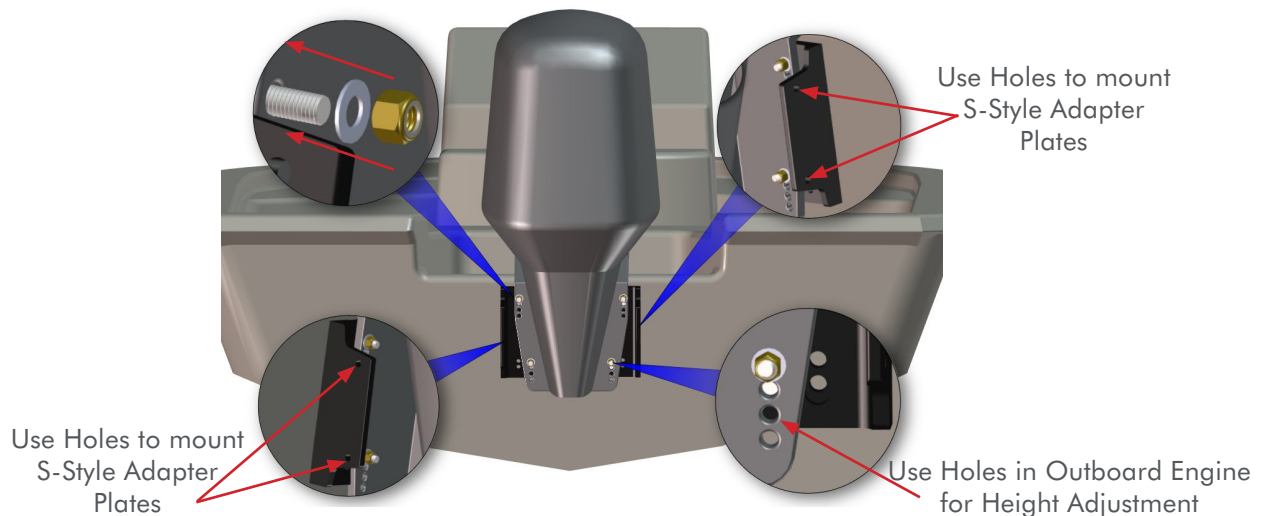


Figure 6

Need help? Contact our Customer Service Team at **1 + 813.689.9932 Option 2**



**SWIFT. SILENT. SECURE.**

# Dual M to S Adapter Plate Kit For Mercury Verado Engines

## INSTRUCTIONS

### CLEARANCE CHECKS

The M to S adapter plate **must** be checked for clearance after installation. Failure to do so may result in loss of vessel control, which could lead to possible ejection from vessel causing property damage, personal injury, and /or death.

1. Confirm that the M to S adapter plate does not cause the engine to interfere with the steering cylinder(s), tiebars, steering hoses, outboard engine hoses or any combination of these parts in all steering positions.
2. If any interference exists, you must take action and do one of the following:
  - a. Add a tilt limiter device to the outboard engine and ensure it is set to prevent the engine from reaching a position where interference is possible.
  - b. Move the engine up or down to the next set of mounting bolt holes.

This product meets the requirements set forth in the Mercury OEM Service Bulletin #2013-09 Patent Pending

Need help? Contact our Customer Service Team at **1 + 813.689.9932 Option 2**



9010 Palm River Road, Tampa, Florida 33619  
phone 813.689.9932 • fax 813.689.8883 • power-pole.com  
©2020 all rights reserved. Power-Pole Shallow Water Anchor U.S. Patent No. 6,041,730