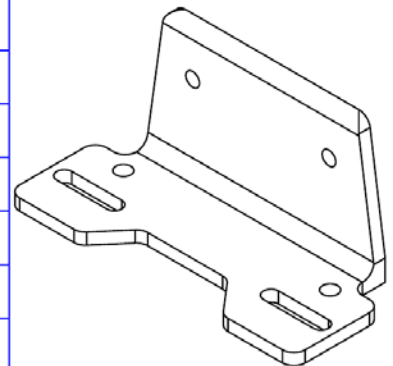
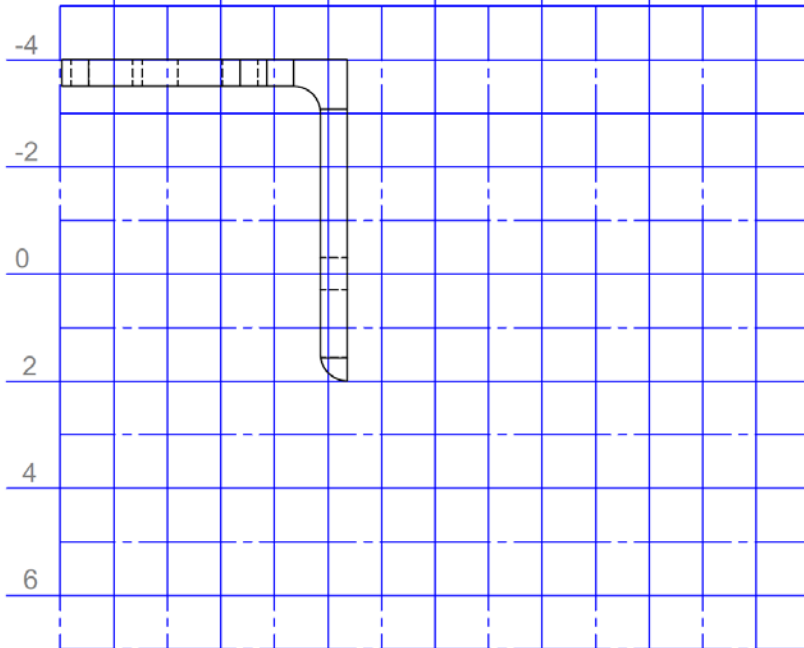
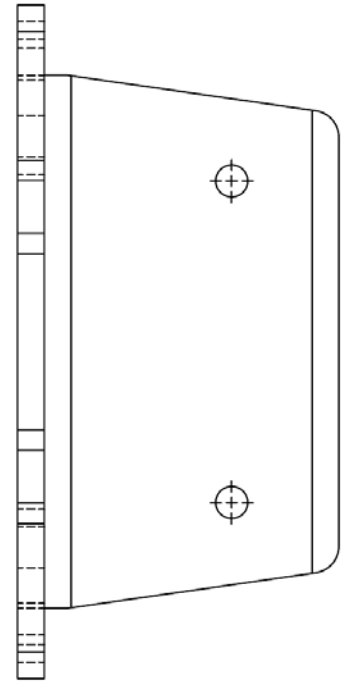
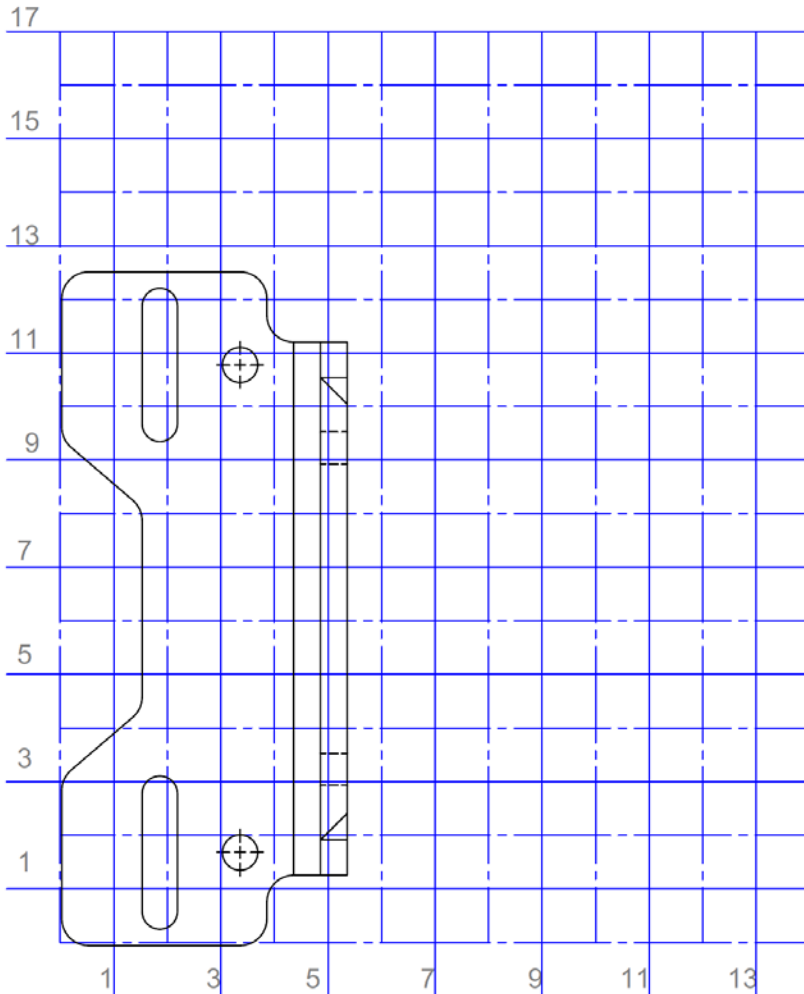




SWIFT. SILENT. SECURE.



Grid Dimensions: Inches

AP-MtoS		REV.
SIZE	DWG. NO.	
A	Adapter Plate Grid	
SCALE: 1:3	WEIGHT: 4.9589	SHEET 23 OF 31