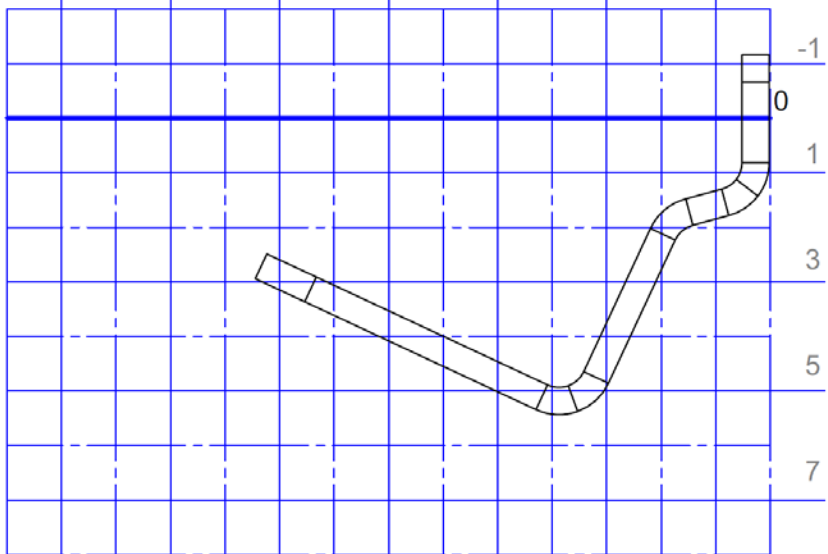
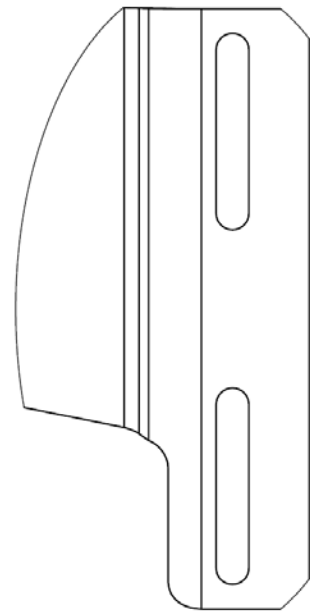
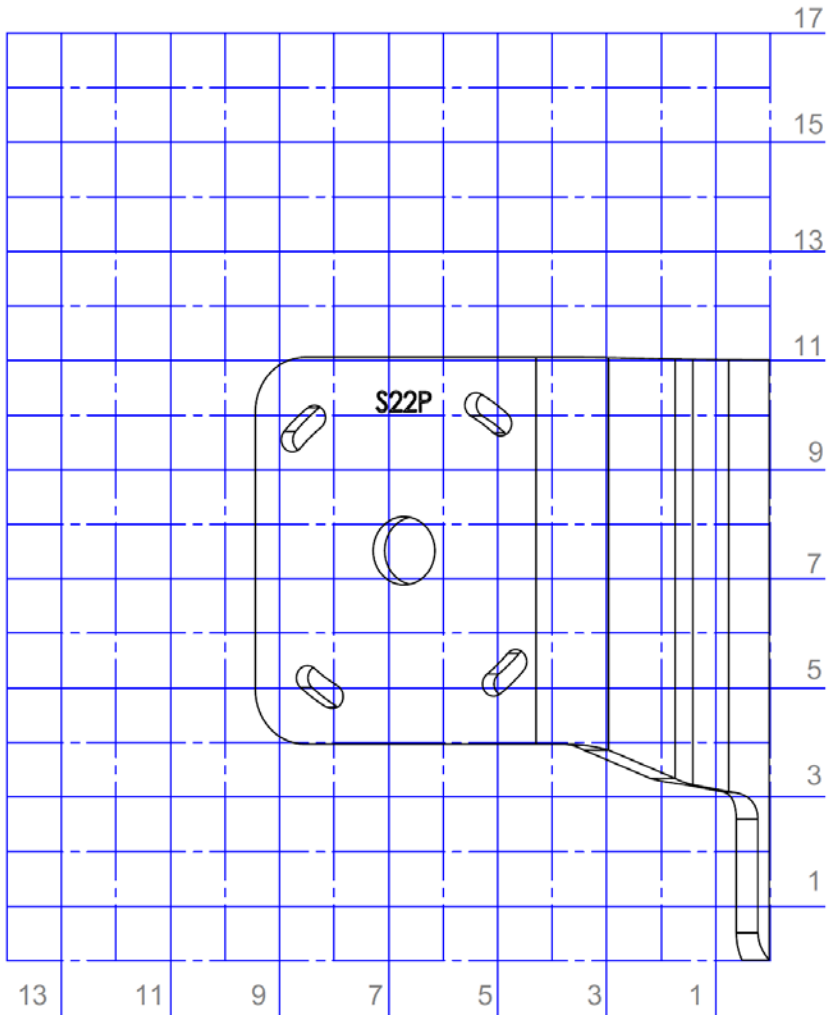




SWIFT. SILENT. SECURE.



Grid Dimensions: Inches

<b>AP-S-2-2-P</b>		
SIZE	DWG. NO.	REV.
<b>A</b>	Adapter Plate Grid	
SCALE:1:3	WBHT: 5.0355	SHEET 2 OF 31