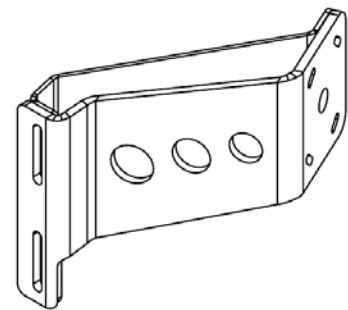
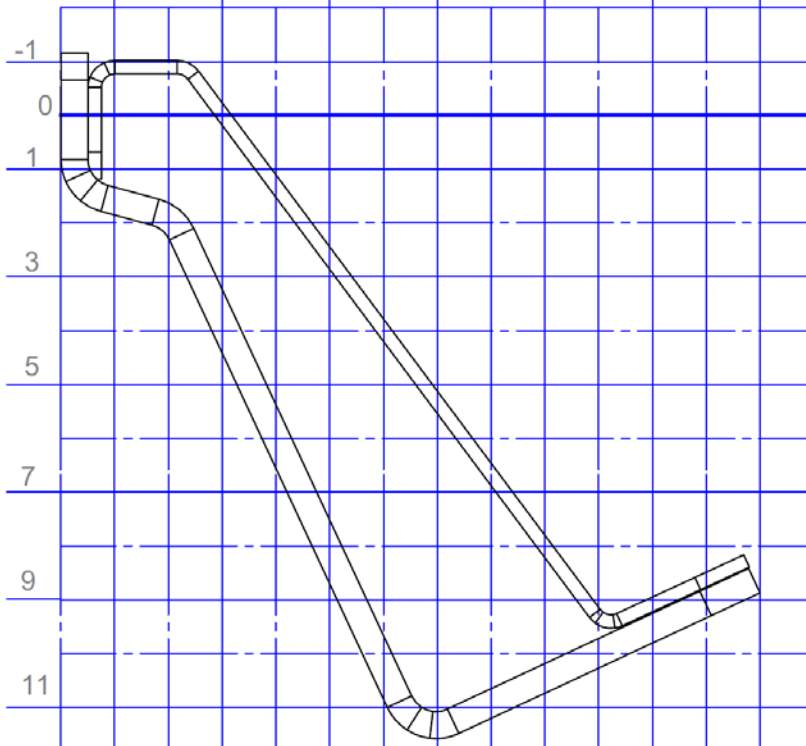
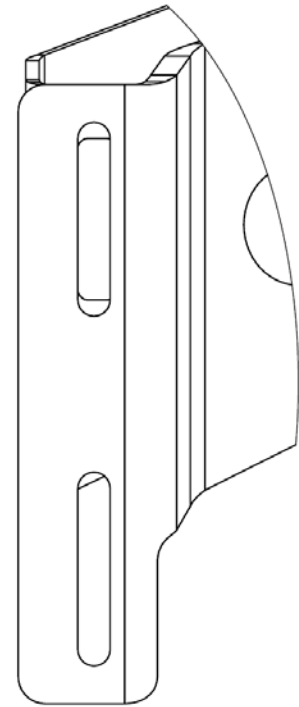
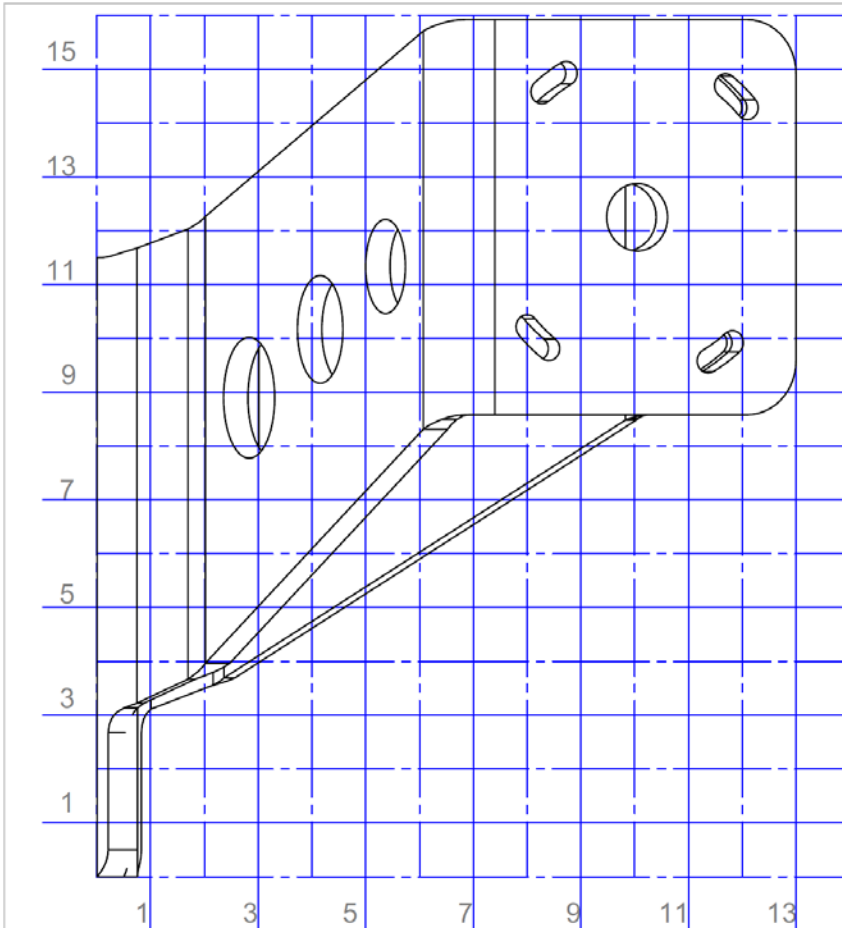




SWIFT. SILENT. SECURE.



Grid Dimensions: Inches

APB-S-8-6-S

SIZE	DWG. NO.	REV.
A	Adapter Plate Grid	
SCALE: 1:3	WEIGHT: 11.30	SHEET 20 OF 31